

# REPLACEMENT PARTS GUIDE

## 8800A TerrainCut™ Rough Mower

### ENGINE



#### ENGINE OIL FILTER

[M806419](#)

Change Every 250 Hrs.



#### ENGINE OIL

[TY26674](#) Plus-50™ II 15W-40  
(5.7 L (6 qt) (WITH FILTER))  
(5.2 L (5.5 qt) (WITHOUT FILTER))

Change Every 250 Hrs.



#### FUEL FILTER

[MIU803127](#) (TIER4)

[MIU800645](#) (NON TIER4)

Change Every 500 Hrs.

#### FUEL SEPARATOR ELEMENT

[M811032](#) (NON TIER 4)

[MIA885326](#) (TIER 4)



#### AIR FILTER ELEMENT

[RE68048](#) (PRIMARY)

Replace Every 300 hrs.

[RE68049](#) (SECONDARY)

Replace Every 500 hrs.



#### TRACTION DRIVE BELT

[TCU30780](#) (TIER 4)

LGTH = 1425 mm, TK = 12 mm,  
WIDTH = 11 mm

[TCU38089](#) (NON TIER 4)

LGTH = 1475 mm, TK = 12 mm,  
WIDTH = 11 mm



#### JOHN DEERE MULTI-PURPOSE HD LITHIUM COMPLEX GREASE

[TY24416](#)

Change As Required.

#### GREASE GUN

[TY26518](#)

Change As Required.

### ELECTRICAL



#### KEY

[AUC12681](#)



#### ROTARY SWITCH

[TCA22740](#) (S/N ( - 040000))

[AUC18708](#) (S/N (040001- ))



#### BATTERY - 12V

[TY25876B](#) (FOR CANADA AND USA)

[MCYP25876](#) (NOT FOR CANADA AND USA)



#### THERMOSTAT

[M811034](#)



#### ENGINE COOLANT SENSOR

[AMT2465](#) ( - 110000)

[RE151433](#) (110001 - )

### FUEL AND AIR



#### FILLER CAP

[UC26908](#)



#### MUFFLER

[MIU803736](#) (NON TIER 4)

### ENGINE



#### V-BELT

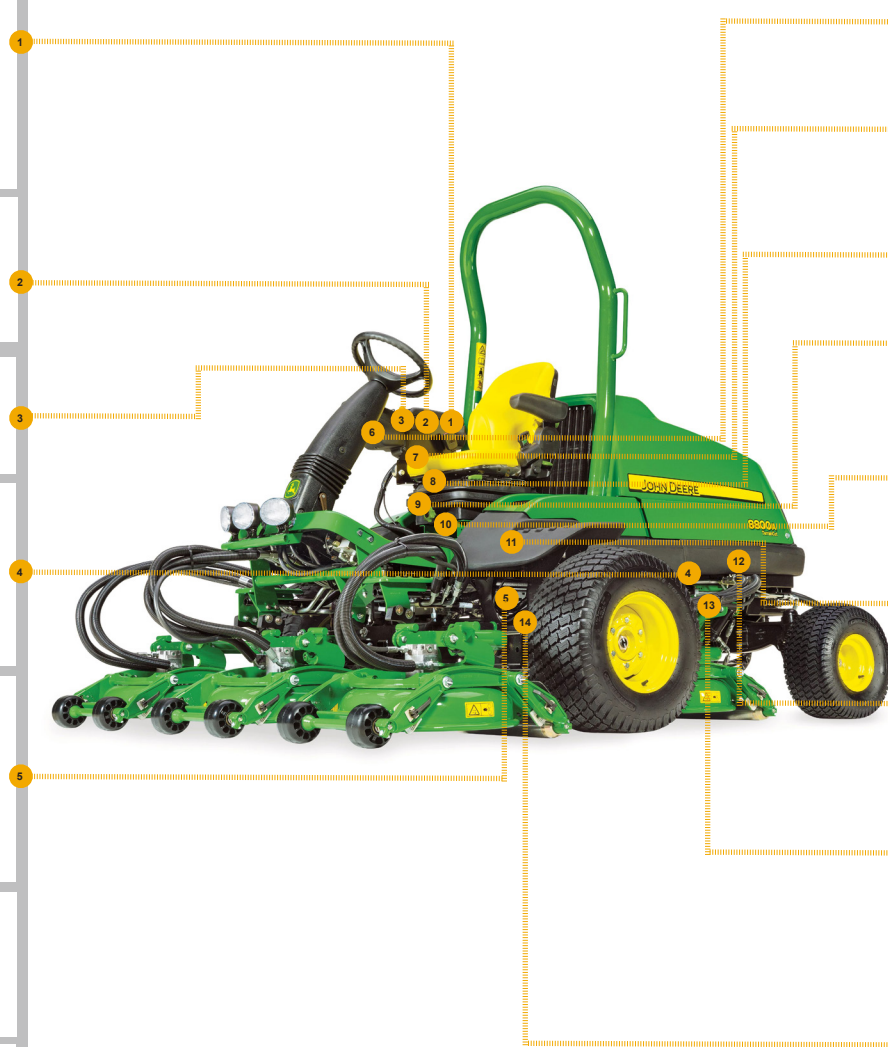
[LVU11662](#) (LGTH = 1077.47 mm,  
TK = 7.70 mm,  
WIDTH = 13.30 mm)

### TRANSMISSION



#### TIE ROD ENDS

[TCA23641](#)



# REPLACEMENT PARTS GUIDE

## 8800A TerrainCut™ Rotary Deck

### ENGINE



**ROLLER - FRONT**  
[TCA26180](#) (21 INCH)



**MOWER BLADE**  
[TCU36461](#) (LOW LIFT)  
[TCU32775](#) (HIGH LIFT)  
[TCU32776](#) (MEDIUM LIFT)  
[TCU32778](#) (MULCH)



**ROLLER - REAR**  
[AUC14189](#) (21 INCH)

