

953M TRACKED FELLER BUNCHER



JOHN DEERE





OUT HERE, ORDINARY DOESN'T CUT IT.

Work can be demanding in your neck of the woods. That's why we rely on real-world insights from customers like you to tell us what you need to succeed. A long and wide undercarriage for singular stability. Powerful standard boom with high lift capacity for the most challenging applications. Dual-swing drive for productivity-boosting power. Expansive visibility. A large fuel tank to keep running — and producing — longer. And a heavy-duty John Deere PowerTech™ Plus 9.0L diesel engine that delivers low total fluid consumption and high dependability. This machine was built to tackle your most difficult tasks.

Sure-footed stability

Reliable tractive effort enables maneuverable negotiation of difficult or steep terrain, deep snow, and swamps. Long and wide undercarriage maximizes stability in all terrain conditions.

Work within reach

Standard boom reach of 8.9 meters (29 feet 4 inches) helps minimize the machine movements needed to get things done. Adding any of a variety of available large-capacity attachments with up to 686-millimeter (27 inch) cut capacity on the new FR27 felling head further increases boom versatility.

More boom

Robust field-proven boom with thick plates and strong joints helps extend durability and wear life.



953M TRACKED FELLER BUNCHER



CUT TIME | **MAXIMIZE**
PRODUCTIVITY
WITH OPTIONAL RAPID CYCLE SYSTEM

Rapid Cycle System (RCS)

Optional RCS can be tailored to individual skill levels and specific harvesting conditions, from large single-tree harvesting to high-speed, multi-stem cutting. Multiple RCS settings can be saved according to individual operator preferences.

Simplified service

Convenient access to service components helps simplify daily checks and preventative-maintenance tasks, so they get done on schedule, minimizing costly repairs down the road.

Get a handle on it

Optional undercarriage-mounted toolbox provides convenient storage for tools, saw teeth, extra saw bars, and other spare parts, eliminating trips back to the service truck.

953M TRACKED FELLER BUNCHER

**PUT TECHNOLOGY TO WORK
IN THE WOODS AND AT THE OFFICE.**

Coordinate your operation and your team's productivity from wherever your work takes you with John Deere Precision Forestry and our core technology solutions.

FEATURES

Core intelligence

Your John Deere Forestry machine arrives from the factory equipped with a powerful set of technologies and capabilities already built in. Each plays an important role in managing the health and performance of your overall equipment fleet:

- **JDLink™ connectivity** lets you track your equipment, see which machines are working, and know if they're being utilized properly and at maximum productivity and efficiency.
- Enabled through JDLink, **John Deere Connected Support** leverages a suite of dealer and factory tools designed to deliver increased uptime and productivity, and lower daily operating costs.
- **Remote Diagnostics and Programming Capability** within John Deere Connected Support helps your dealer warn you of any issue with your machine — often before you know of the problem yourself — and initiate solutions without charging you for a technician's visit to your jobsite.
- Our advanced dual approach to **Machine Health** combines the expertise of the technology specialists at our dealerships with the data specialists at our central Machine Health Monitoring Center (MHMC). As part of John Deere Connected Support, information from thousands of connected machines flows through the MHMC, enabling our specialists to identify trends and develop new and improved preventative-maintenance and repair protocols.

Precision Forestry

Take the guesswork out of planning, implementing, and monitoring your logging operation. The tools of our production-planning and -tracking system expand on the core technology features that come standard in every John Deere Forestry machine to unleash a powerful new array of possibilities:

- **TimberMatic™ Maps** is an innovative onboard software solution that helps you reimagine your jobsites. Real-time production views, optimized routes, and shared wireless connections between machines make it easier than ever before to take your forestry operation to the next level.
- **TimberManager™** is a web-based solution for PCs, tablets, and mobile phones that allows you to follow jobsite progress. Combined with TimberMatic Maps, this software provides complete visibility of your operation — from land harvested to specific machines — so you can streamline communication, analyze tasks, and increase productivity:
 - **Remote Monitoring** keeps tabs on the health and performance of your fleet from wherever you are.
 - **Precise Progress Tracking** lets you set goals for your team to meet throughout the day.
 - **Live Production View** displays progress including tree count, area harvested, and estimated tonnage.
 - **Simplified Mapping** of machine data and GPS-based location tracking shows precise stem and log counts.
 - **Real-Time Updates** let you adjust course or eliminate tasks if needed to maintain steady workflow.
 - **Fleet Optimization** goes beyond machine management to help improve the efficiency of your business.



**JOHN DEERE
CONNECTED SUPPORT™**

CONNECTS YOUR OPERATION
TO DEALER & FACTORY EXPERTISE

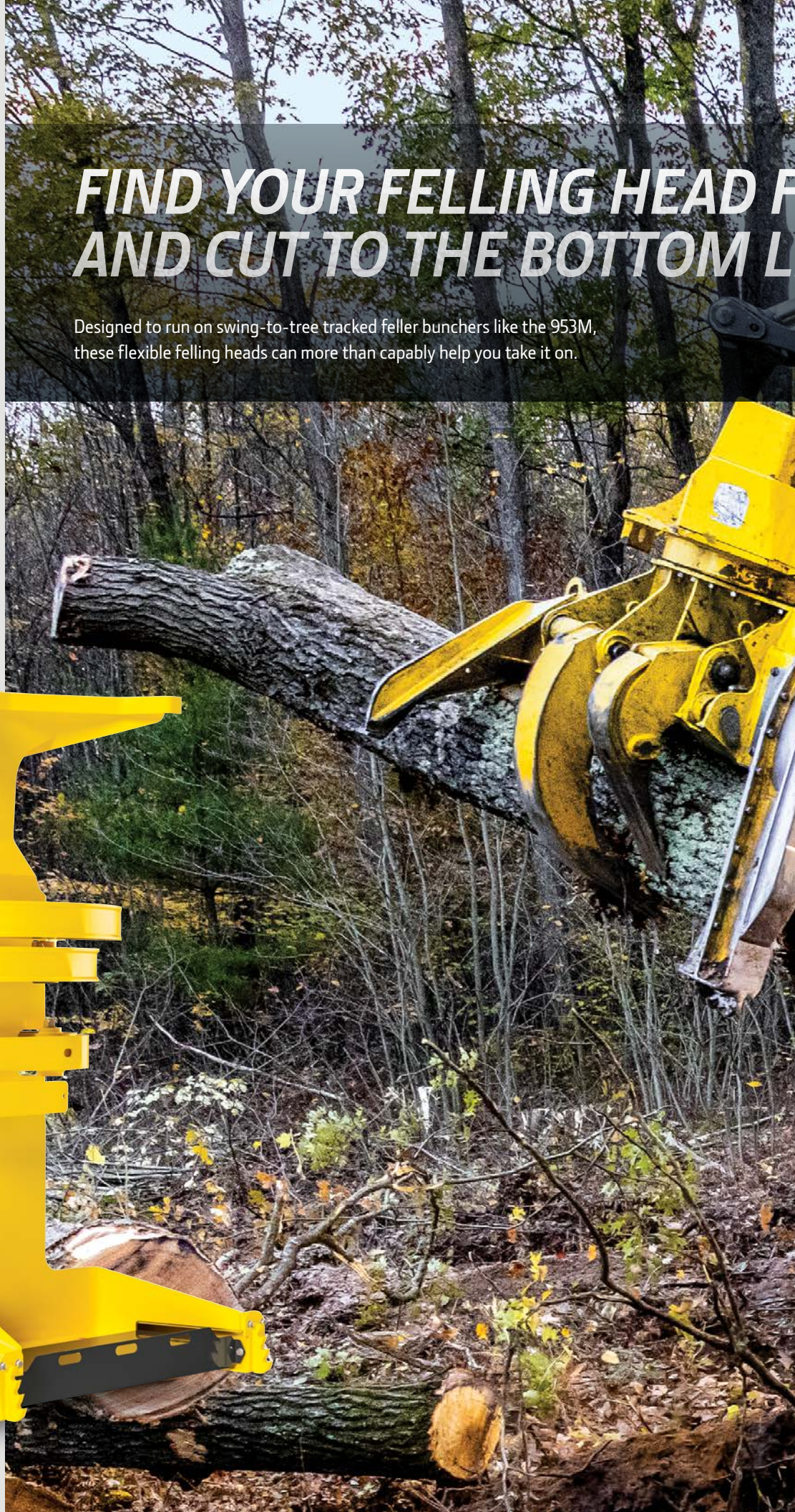
FR27

Powerful productivity

Its 686-millimeter (27 inch) single-cut capacity makes the FR27 our largest-cut-capacity felling head. Over 16-percent bigger than the FR24B, the massive 0.70-square-meter (7.5 square foot) accumulation area of the FR27 enables efficient handling of a single large tree or multiple smaller stems. With long harvesting arms, hardened-steel saw housing, and large side-chip exhaust chute, the productive, durable, and maintenance-friendly FR27 is available as a standard attachment on the 953M Tracked Feller Buncher.

FIND YOUR FELLING HEAD AND CUT TO THE BOTTOM LINE

Designed to run on swing-to-tree tracked feller bunchers like the 953M, these flexible felling heads can more than capably help you take it on.



**IT
LINE.**



FELLING HEADS

Well within your reach

From small stems to big timber, softwood to hardwood, level or sloped ground, John Deere has a disk saw felling head that's designed for your job.

Robust flexibility

Available in both limited and high rotation, the **FS22B** and **FR22B** are our most versatile felling heads. They're robust enough to handle larger, mature trees, with the tree-handling performance to also efficiently accumulate mid-sized timber.

Proven reliability

Delivering efficient, multi-stem high-accumulation performance with huge pocket and tall horns, and available in both limited and high-rotation wrist, **FS50** and **FR50** felling heads are best suited for first and second thinnings as well as high-production plantation harvests.

Choose the correct felling head for your 953M Tracked Feller Buncher.



6-14"

Plantation Thinning

Select Cut

High Accumulation

Short-Mid-Height
Timber

FS50 / FR50



14-22"

Select Cut

Final Felling

Mid Accumulation

Mid-Height-
Tall Timber

FS22B / FR22B



18-27"

Final Felling

Swamp Logging (Swell)

Mid-Low Accumulation

Tall Timber

FR27



FS50



FS22B



FR22B

FR22B

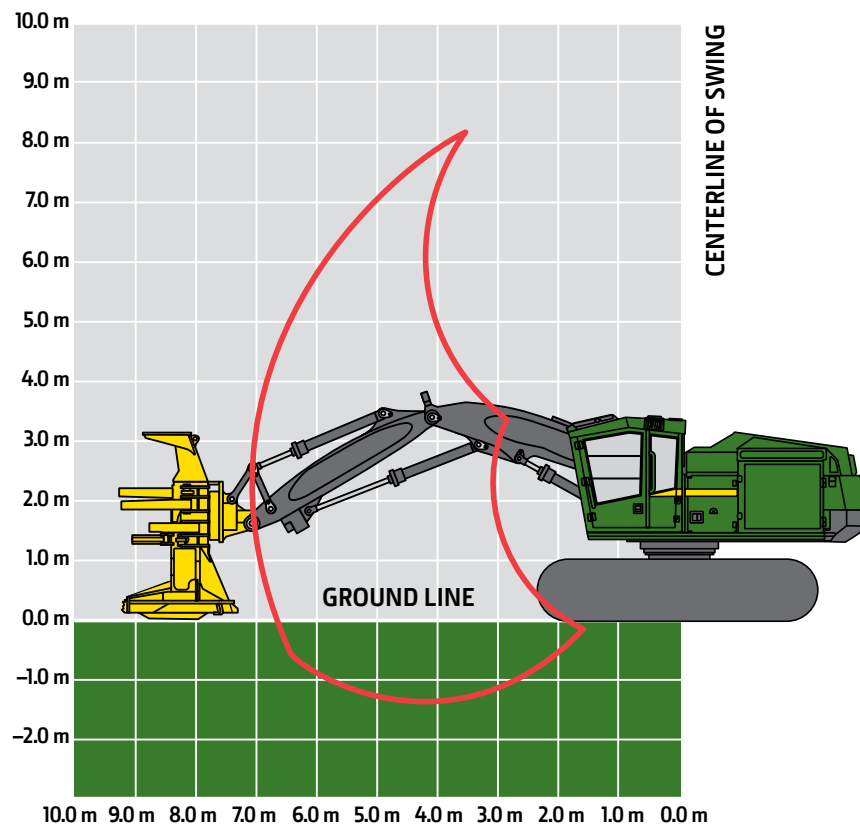
953M TRACKED FELLER BUNCHER SPECIFICATIONS

Engine		
953M		
Manufacturer and Model	John Deere PowerTech™ Plus 6090PSS	John Deere PowerTech Plus 6090H
Non-Road Emission Standard	EPA Final Tier 4/EU Stage V	EPA Tier 3/EU Stage IIIA / EPA Tier 2/EU Stage II
Displacement	9.0 L (549 cu. in.)	9.0 L (549 cu. in.)
Peak Power at 1,900 rpm	246 kW (330 hp)	246 kW (330 hp)
Net Peak Torque at 1,500 rpm	1392 Nm (1,027 lb.-ft.)	1527 Nm (1,126 lb.-ft.)
Cooling		
Fan Type	Suction type, hydraulically driven, variable speed, reversing	
Hydraulics		
Closed center, pressure compensated, load sense		
Main Pump	Variable-displacement axial piston	
Maximum Rated Flow	532 L/min. (141 gpm)	
Continuous Saw Pump	Dedicated variable-displacement axial piston	
Maximum Rated Flow	114 L/min. (30 gpm)	
Attachment Pump	Dedicated variable-displacement axial piston	
Maximum Rated Flow	135 L/min. (36 gpm)	
Oil Filtration	2 main return filters, 10-micron return with bypass, 1 case-drain strainer, 25 micron	
Electrical		
	<i>EPA Final Tier 4/EU Stage V</i>	<i>EPA Tier 3/EU Stage IIIA / EPA Tier 2/EU Stage II</i>
Voltage	24 volt	24 volt
Number of Batteries	2 x 12 volt	2 x 12 volt
Alternator Rating	200 amp	100-amp standard / 130-amp optional
Work Lights	LED (13)	LED (13)
Service Lights	LED (3)	LED (3)
Undercarriage		
Integral track guides, thick high-abrasion-resistant material, ramp angles, hydraulic track adjustment		
	<i>EPA Final Tier 4/EU Stage V</i>	<i>EPA Tier 3/EU Stage IIIA / EPA Tier 2/EU Stage II</i>
Track Size	U7 Extreme Duty (EXD)	U7 EXD
Track Chain	215.9 mm (8.5 in.)	215.9 mm (8.5 in.)
Number of Track Links (per side)	47	47
Lower Rollers (per side)	9	9
Carrier Slides / Rollers (per side)	2	2
Travel Performance		
Travel Speed, Forward and Reverse		
High	4.2 km/h (2.6 mph)	4.2 km/h (2.6 mph)
Low	2.1 km/h (1.3 mph)	2.0 km/h (1.2 mph)
Tractive Effort	322 kN (72,300 lbf)	322 kN (72,300 lbf)
Rotating Upper		
Swing System, Standard		
Swing Speed (maximum)	4.8 rpm	
Swing Torque	110 170 Nm (81,260 lb.-ft.)	
Swing Brake	Sealed wet multi-disc, manually applied/released	
Serviceability		
	<i>EPA Final Tier 4/EU Stage V</i>	<i>EPA Tier 3/EU Stage IIIA / EPA Tier 2/EU Stage II</i>
Fuel Tank	1080 L (285 gal.)	1080 L (285 gal.)
Diesel Exhaust Fluid (DEF) Tank	42 L (11 gal.)	N/A
Ground Pressure (SAE J1309)		
Includes standard equipment, 7.01-m (23 ft.) boom, half-full fuel tank, and all fluids, less attachment		
	<i>EPA Final Tier 4/EU Stage V</i>	<i>EPA Tier 3/EU Stage IIIA / EPA Tier 2/EU Stage II</i>
Undercarriage	U7 EXD	U7 EXD
Counterweight	Large	
Standard Boom	6.71 m	
Double Grouser		
610 mm (24 in.)	63.8 kPa (9.3 psi)	63.1 kPa (9.2 psi)
762 mm (30 in.)	53.4 kPa (7.8 psi)	52.9 kPa (7.7 psi)
Single Grouser		
610 mm (24 in.)	63.6 kPa (9.2 psi)	62.9 kPa (9.1 psi)
711 mm (28 in.)	55.3 kPa (8.0 psi)	54.7 kPa (7.9 psi)
Triple Grouser (soft terrain only)		
914 mm (36 in.)	45.3 kPa (6.6 psi)	45.3 kPa (6.6 psi)

While general information, pictures, and descriptions are provided, some illustrations and text may include product options and accessories NOT AVAILABLE in all regions, and in some countries products and accessories may require modifications or additions to ensure compliance with the local regulations of those countries.

Operating Weight		953M	
Includes standard equipment, 7.01-m (23 ft.) boom, 610-mm (24 in.) double-grouser tracks, half-full fuel tank, and all fluids, less attachment			
	<i>EPA Final Tier 4/EU Stage V</i>	<i>EPA Tier 3/EU Stage IIIA / EPA Tier 2/EU Stage II</i>	
Undercarriage	U7 EXD	U7 EXD	
Counterweight	Large	Large	
Standard Boom	6.71 m	6.71 m	
Approximate Weight — Base Machine	33 330 kg (73,490 lb.)	32 971 kg (72,700 lb.)	
Boom Performance			
7.01-m (23 ft.) Boom		With FR27	
Maximum Reach (to tip of saw blade)	8.90 m (29 ft. 4 in.)		
Minimum Reach (to tip of saw blade)	4.89 m (16 ft. 2 in.)		
Cutting Swath	4.01 m (13 ft. 2 in.)		
Lift Option		<i>Power-Lift Option With and Without Rapid Cycle System</i>	
Lift Capacity, Bare Pin at Full Reach	7970 kg (17,570 lb.)		
Lift Capacity, Bare Pin at 6.1 m (20 ft.)	10 260 kg (22,620 lb.)		

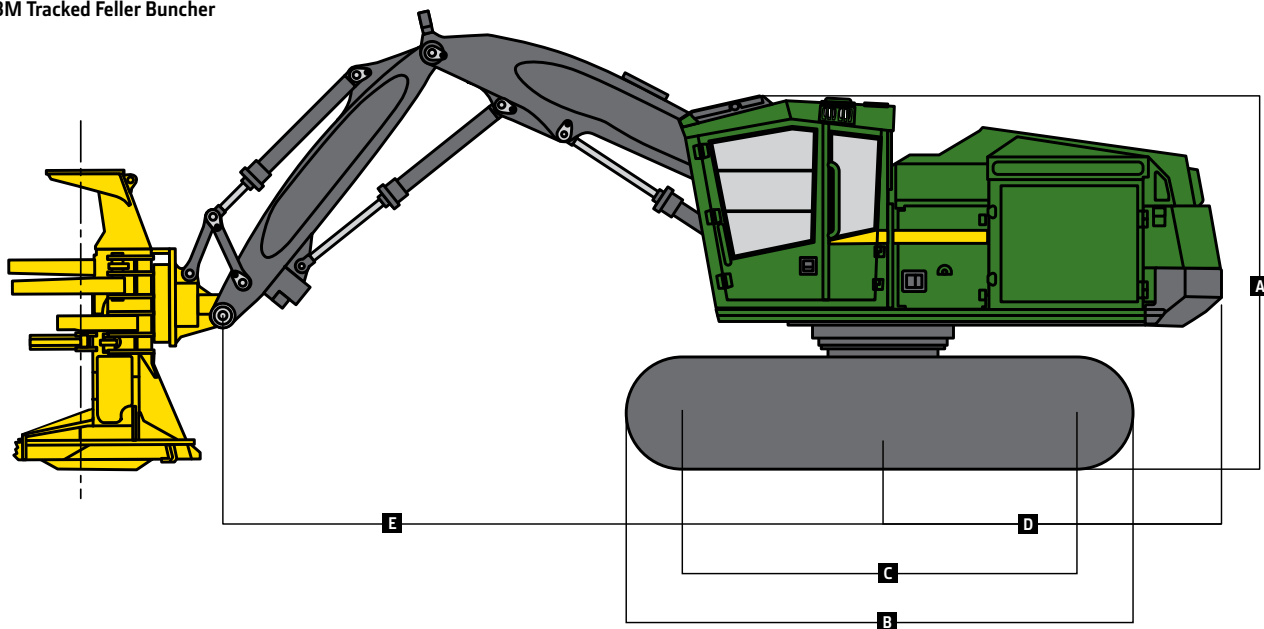
953M Tracked Feller Buncher



953M TRACKED FELLER BUNCHER SPECIFICATIONS (continued)

Attachment Information	953M				
Attachment	FS22B	FR22B	FR27	FS50	FR50
Maximum Cutting Capacity	559 mm (22.0 in.)	559 mm (22.0 in.)	686 mm (27.0 in.)	508 mm (20.0 in.)	508 mm (20.0 in.)
Maximum Accumulation Capacity	0.48 m ² (5.2 sq. ft.)	0.48 m ² (5.2 sq. ft.)	0.70 m ² (7.5 sq. ft.)	0.64 m ² (6.9 sq. ft.)	0.64 m ² (6.9 sq. ft.)
Opening at Front of Housing	1280 mm (50.4 in.)	1280 mm (50.4 in.)	1382 mm (54.4 in.)	870 mm (34.0 in.)	870 mm (34.0 in.)
Blade Diameter	1422 mm (56.0 in.)	1422 mm (56.0 in.)	1676 mm (66.0 in.)	1346 mm (53.0 in.)	1346 mm (53.0 in.)
Number of Teeth	18	18	18	18	18
Saw rpm	1,150 rpm	1,150 rpm	1,000 rpm	1,250 rpm	1,250 rpm
Wrist Rotation	30 deg.	312 deg.	300 deg.	30 deg.	310 deg.
Width at Saw Housing	1620 mm (63.8 in.)	1620 mm (63.8 in.)	1908 mm (75.1 in.)	1660 mm (65.0 in.)	1660 mm (65.0 in.)
Height	3068 mm (120.8 in.)	3068 mm (120.8 in.)	3094 mm (121.8 in.)	2850 mm (112.0 in.)	2850 mm (112.0 in.)
Weight (including adapter and wrist)	3550 kg (7,830 lb.)	3840 kg (8,470 lb.)	4220 kg (9,310 lb.)	3370 kg (7,430 lb.)	3660 kg (8,070 lb.)
Machine Dimensions	953M				
Standard Undercarriage	U7 EXD				
A Overall Height With 7.01-m (23 ft.) Boom					
Top of Cab With Flat Skylight	3.55 m (11 ft. 8 in.)				
Top of Cab With Peaked Skylight	3.77 m (12 ft. 4 in.)				
Top of Boom, Extended, Attachment Vertical	3.86 m (12 ft. 8 in.)				
B Overall Track Length	4.90 m (16 ft. 1 in.)				
C Track Length (idler to sprocket center)	3.83 m (12 ft. 7 in.)				
D Tail Swing (from swing center)	3.18 m (10 ft. 5 in.)				
E Boom Reach (to attachment pin)	7.01 m (23 ft.) Boom				
Maximum	7.01 m (23 ft. 0 in.)				
Minimum	3.00 m (9 ft. 10 in.)				
Cutting Swath	4.01 m (13 ft. 2 in.)				

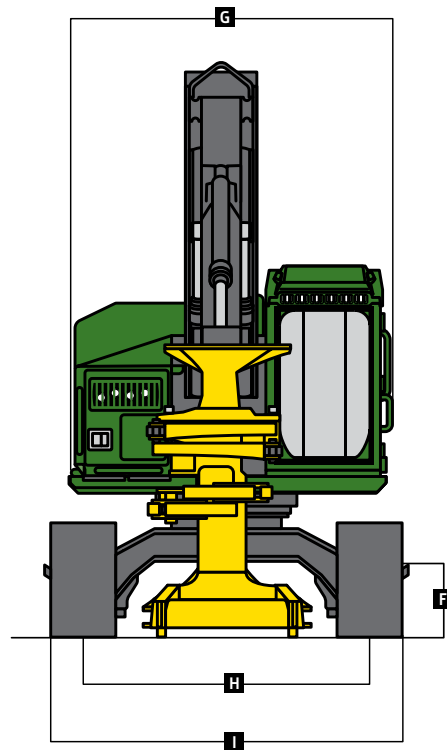
953M Tracked Feller Buncher



While general information, pictures, and descriptions are provided, some illustrations and text may include product options and accessories NOT AVAILABLE in all regions, and in some countries products and accessories may require modifications or additions to ensure compliance with the local regulations of those countries.

Machine Dimensions <i>(continued)</i>		953M
Standard Undercarriage <i>(continued)</i>		U7 EXD
F	Ground Clearance	
	Single Grouser	779 mm (31 in.)
	Double Grouser	756 mm (30 in.)
	Triple Grouser	738 mm (29 in.)
G	Upperstructure Width	
	Without Optional Walkway	3.05 m (10 ft. 0 in.)
	With Optional Walkway	3.20 m (10 ft. 6 in.)
H	Track Gauge	2.69 m (8 ft. 10 in.)
I	Width Over Tracks	
	610-mm (24 in.) Track Shoes	3.30 m (10 ft. 10 in.)
	711-mm (28 in.) Track Shoes	3.40 m (11 ft. 2 in.)
	760-mm (30 in.) Track Shoes	3.45 m (11 ft. 4 in.)
	914-mm (36 in.) Track Shoes	3.61 m (11 ft. 10 in.)

953M Tracked Feller Buncher





MTFB953U (22-05)

Contact us to learn more.

JohnDeere.com/FellerBunchers
JohnDeere.ca/FellerBunchers



JOHN DEERE