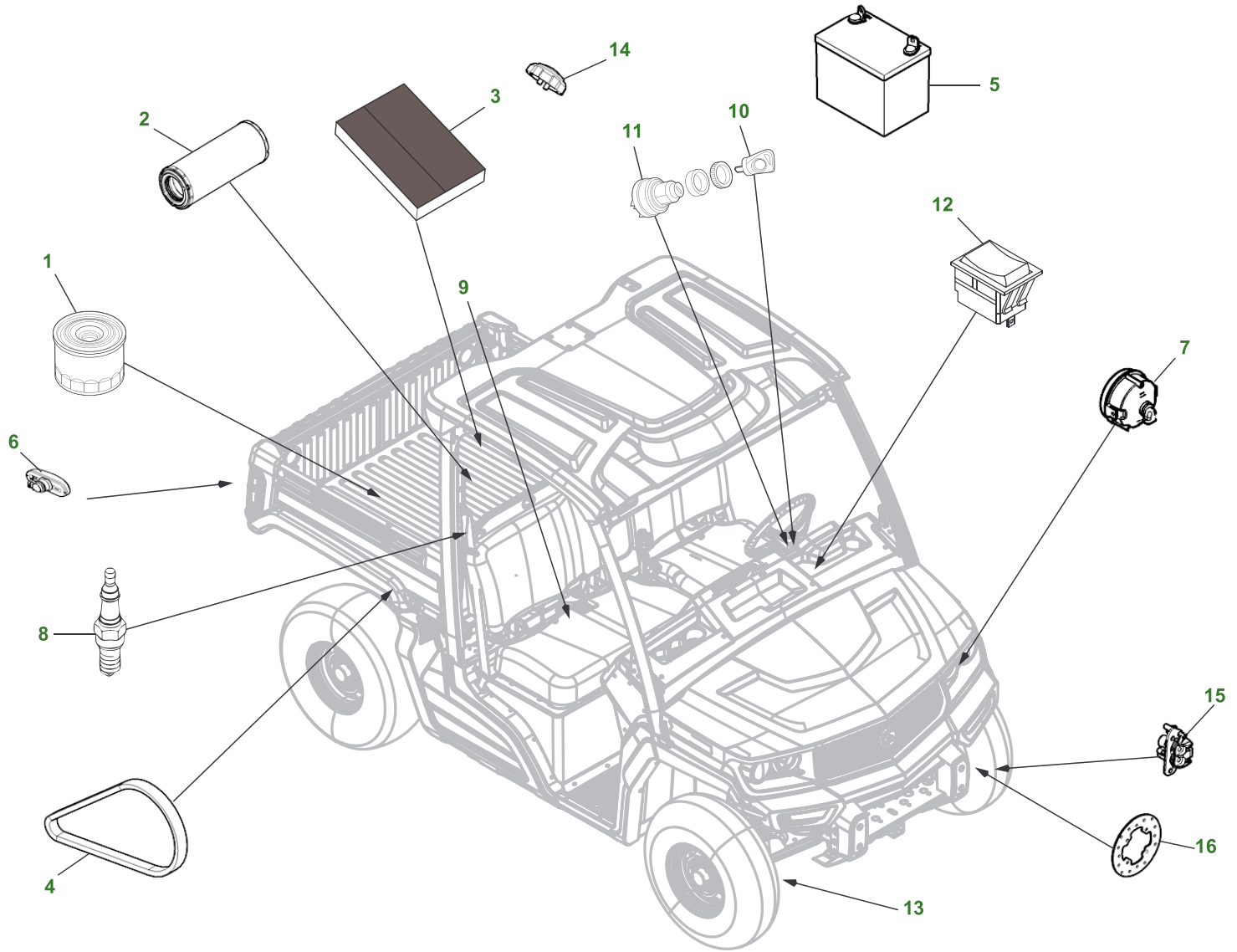


# Gator XUV835E, XUV835M, XUV835R 4X4



17

## Gator XUV835E, XUV835M, XUV835R 4X4

Key	Part No.	Description	Key	Part No.	Description
1	<a href="#">AM107423</a>	OIL FILTER	10	<a href="#">AUC12681</a>	KEY
2	<a href="#">M177598</a>	AIR FILTER ELEMENT	11	<a href="#">TCA22740</a>	IGNITION SWITCH (S/N -020000)
3	<a href="#">M177743</a>	CABIN FILTER (HVAC)		<a href="#">AUC12631</a>	IGNITION SWITCH (S/N 020001-)
4	<a href="#">M174096</a>	BELT-DRIVE	12	<a href="#">AM147340</a>	ROCKER SWITCH - HEADLIGHT
	<a href="#">MIU13962</a>	BELT - ALTERNATOR	13	<a href="#">M177842</a>	TIRE - FRONT - 26 X 9-12
5	<a href="#">TY25881</a>	BATTERY		<a href="#">M177844</a>	TIRE - FRONT - SPORT - 27 X 9-14
6	<a href="#">R133302</a>	BULB - BRAKE LIGHT		<a href="#">M177846</a>	TIRE - FRONT - 6 PLY - 25X 9-12
7	<a href="#">AXE16948</a>	BULB HEADLIGHT - XUV835E/M		<a href="#">M177843</a>	TIRE - REAR - 27 X 11-12
	<a href="#">AM146908</a>	BULB HEADLIGHT - LED XUV835R		<a href="#">M177845</a>	TIRE - REAR - SPORT - 27X 11-14
8	<a href="#">MIU12783</a>	SPARK PLUG		<a href="#">M177847</a>	TIRE - REAR - 6 PLY - 25 X 11-12
9	<a href="#">AM146335</a>	DRIVERS SEAT - YELLOW	14	<a href="#">AUC12860</a>	FILLER CAP
	<a href="#">AM146336</a>	SEAT BOTTOM - YELLOW	15	<a href="#">AM147009</a>	BRAKE PAD - FRONT
	<a href="#">AM147196</a>	SEAT BACK - YELLOW		<a href="#">AM147010</a>	BRAKE PAD - REAR
	<a href="#">AM146640</a>	DRIVERS SEAT - BLACK	16	<a href="#">AM142949</a>	ROTOR
	<a href="#">AM146641</a>	SEAT BOTTOM - BLACK	17	<a href="#">LG270</a>	HOME MAINTENANCE KIT
	<a href="#">AM147611</a>	SEAT BACK - BLACK			
	<a href="#">AM138194</a>	SEAT BUCKET - YELLOW			
	<a href="#">AM138195</a>	SEAT BUCKET - BLACK			
	<a href="#">AM144196</a>	SEAT - SPORT			
	<a href="#">AUC14426</a>	DRIVERS SEAT - XUV835R			
	<a href="#">AUC14430</a>	SEAT BOTTOM - XUV835R			
	<a href="#">AUC14429</a>	SEAT BACK - XUV835R			

## Parts Needed in First 250 Hours of Operation

Qty	Part No.	Item	Capacity	Interval In Hours
3	<a href="#">AM107423</a>	Engine Oil Filter		8/100/200
7	<a href="#">TY22029</a>	Turf-Gard™ Engine Oil	2.2 L (2.3 qt)	8/100/200
1	<a href="#">M177598</a>	Air Filter		200
3	<a href="#">MIU12783</a>	Spark Plugs		200
3	<a href="#">TY24416</a>	Multi-Purpose HD Lithium Complex Grease		As Needed

## Capacities

Crankcase (with filter)	2.2 L (2.3 qt)
4WD Front Differential	0.59 L (19.6 oz)
Transaxle	3.8 L (4 qt)
Cooling System (Including Recovery Tank)	5 L (5.2 qt)
Brake	356 ML (12 oz)