

REPLACEMENT PARTS GUIDE

X940 Signature Series Tractor

ENGINE



OIL FILTER [M806418](#)

Every 200 hrs / Annually.

ENGINE OIL WITH FILTER [TY26674](#) (Plus-50™ II 15W-40 2.9 L (3.1 qt))

Every 200 hrs / Annually.



FUEL FILTER [MIU804763](#)

Every 200 hrs / Annually.



AIR FILTER [M113621](#) (PRIMARY)

Every 200 hrs / Annually.

[M123378](#) (SECONDARY)

Every 200 hrs / Annually.



JOHN DEERE MULTI-PURPOSE HD LITHIUM COMPLEX GREASE [TY24416](#)

GREASE GUN [TY26518](#)

Change As Required.



HOME MAINTENANCE KIT [AUC17071](#)



ELECTRICAL



KEY [GY20680](#)



IGNITION SWITCH [AM133596](#)



HEAD LIGHT BULB [AM118013](#) (37.5 W)



BATTERY [TY25221B](#) (12 V) (FOR CANADA AND USA) [MCYP340PE](#) (12 V) (NOT FOR CANADA AND USA)

FUEL & AIR



FILLER CAP [M802715](#)



MUFFLER [AM141957](#)

REPLACEMENT PARTS GUIDE

X940 With 48 Inch Accel Deep Deck



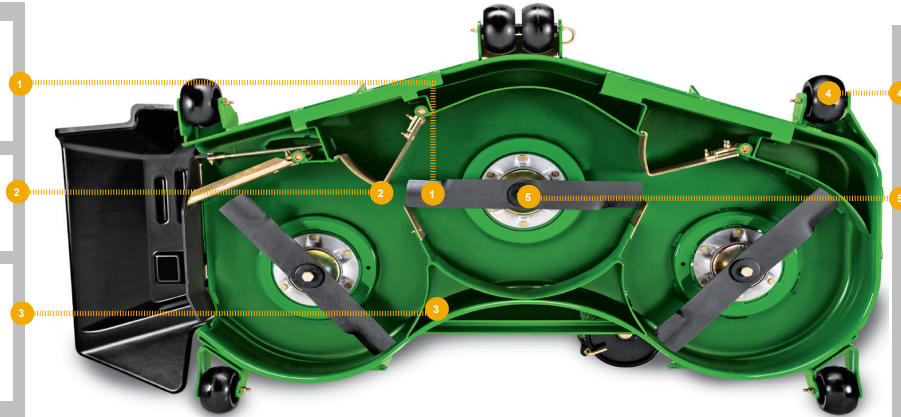
MOWER BLADE
[UC22009](#)



MULCH BLADE
[UC25185](#)



V - BELT
[M172662](#) (LGTH = 2715 mm,
WIDTH = 16.67 mm and
TK = 13.5 mm)



GAGE WHEEL
[AM125172](#)



ROLLER
[M113955](#)



DECK LEVELING TOOL
[AM130907](#)

REPLACEMENT PARTS GUIDE

X940 With 54 Inch Edge™ High-Capacity Deck



MOWER BLADE

[TCU30316](#)



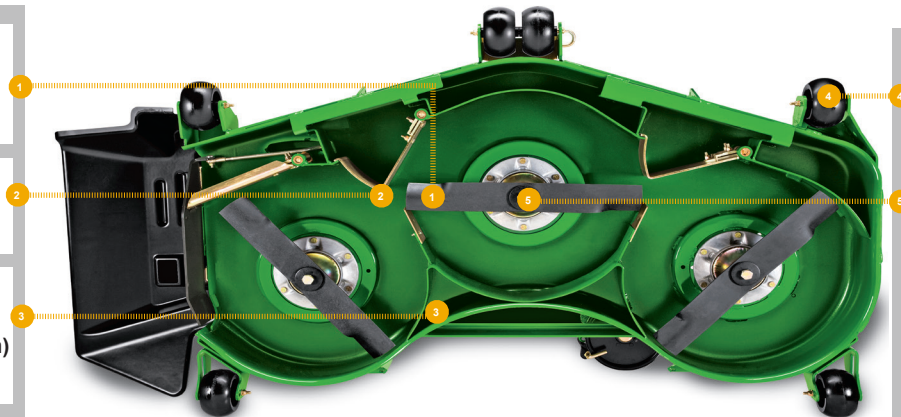
MULCH BLADE

[M135334](#)



V - BELT

[M165156](#) (LGTH = 2845.3 mm,
WIDTH = 16 mm and TK = 16.3 mm)



GAGE WHEEL

[AM148120](#)



ROLLER

[M113955](#)



DECK LEVELING TOOL

[AM130907](#)



REPLACEMENT PARTS GUIDE

X940 With 60 Inch Edge™ High-Capacity Deck



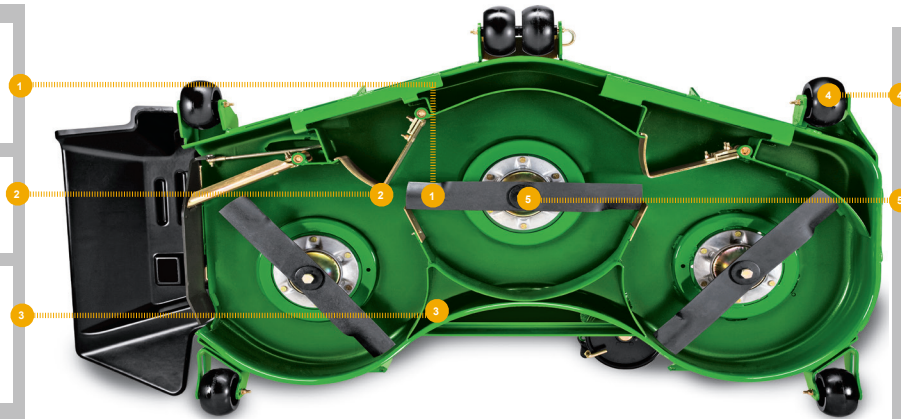
MOWER BLADE
[M133381](#)



MULCH BLADE
[M168223](#)



V - BELT
[M163993](#) (LGTH = 3110 mm,
TK = 16.3 mm, WIDTH = 16 mm)



GAGE WHEEL
[AM148120](#)



ROLLER
[M113955](#)



DECK LEVELING TOOL
[AM130907](#)